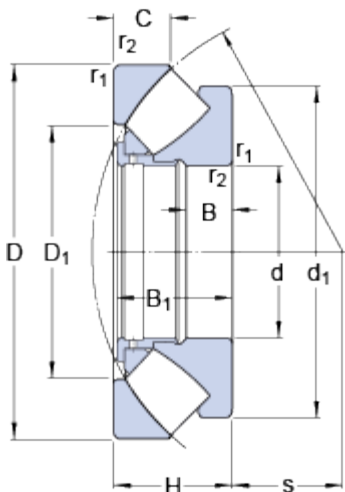


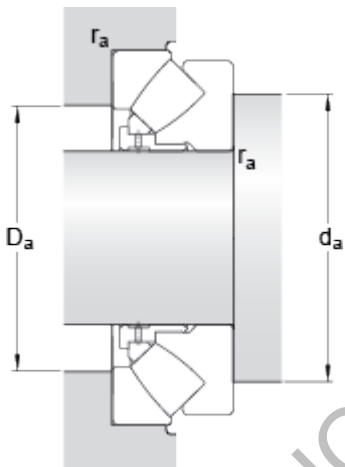
# 294/850

## Dimensions



d	850	mm
D	1440	mm
H	354	mm
d <sub>1</sub>	≈ 1315	mm
D <sub>1</sub>	≈ 1077	mm
B	142	mm
B <sub>1</sub>	342	mm
C	172	mm
s	507	mm
r <sub>1,2</sub>	min. 15	mm

## Abutment dimensions



d <sub>a</sub>	min. 1160	mm
D <sub>a</sub>	max. 1270	mm
r <sub>a</sub>	max. 12	mm

## Calculation data

Basic dynamic load rating	C	23900	kN
Basic static load rating	C <sub>0</sub>	108000	kN
Fatigue load limit	P <sub>u</sub>	7100	kN
Reference speed		170	r/min
Limiting speed		340	r/min
Minimum axial load factor	A	1100	

## Mass

Mass bearing		2390	kg
--------------	--	------	----